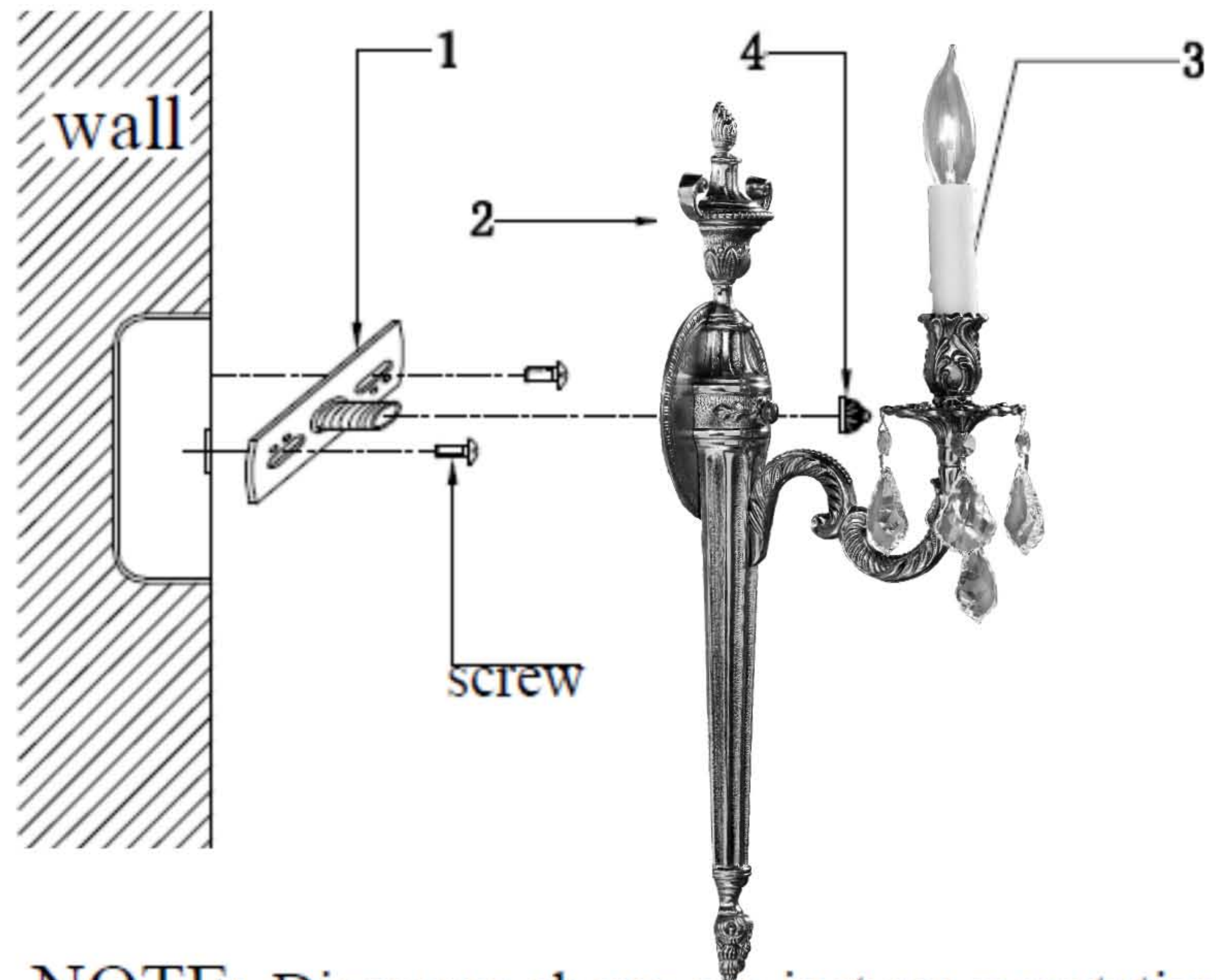


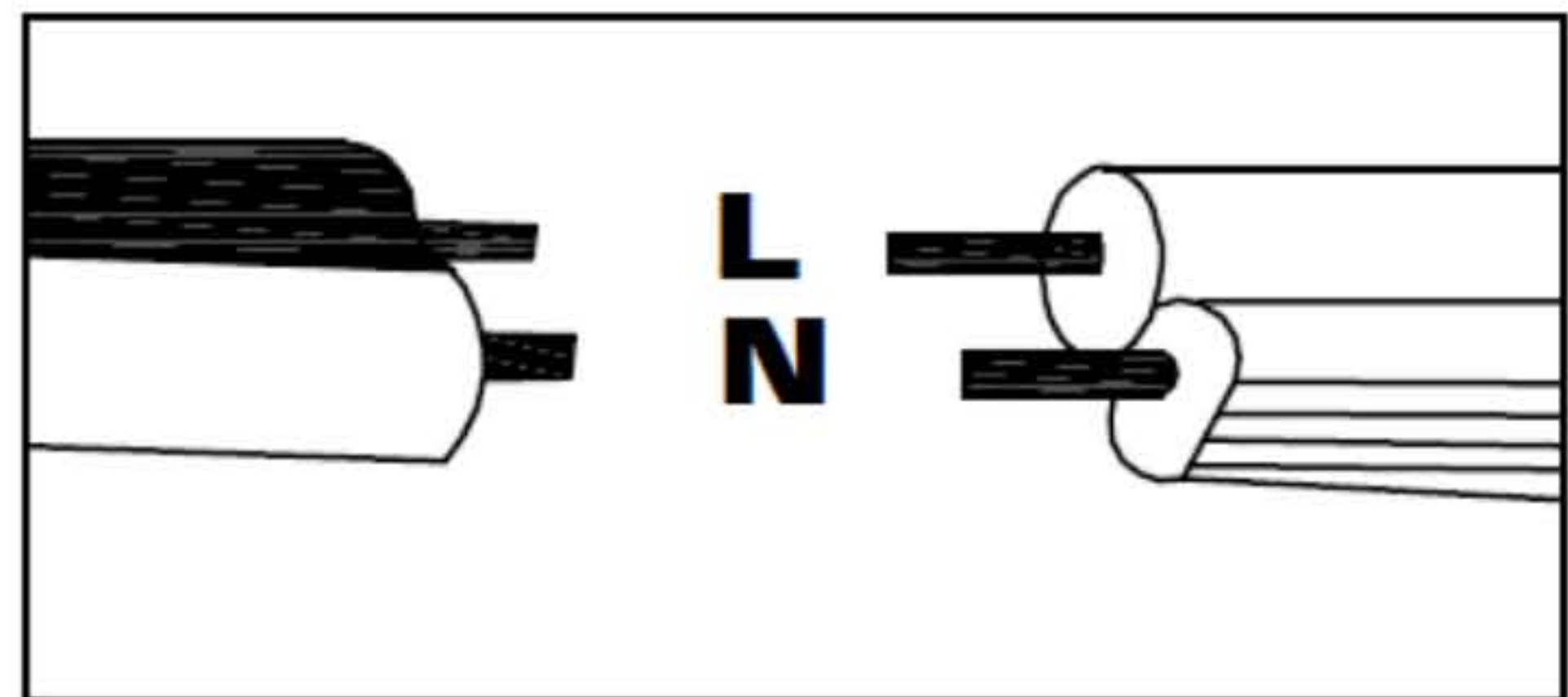
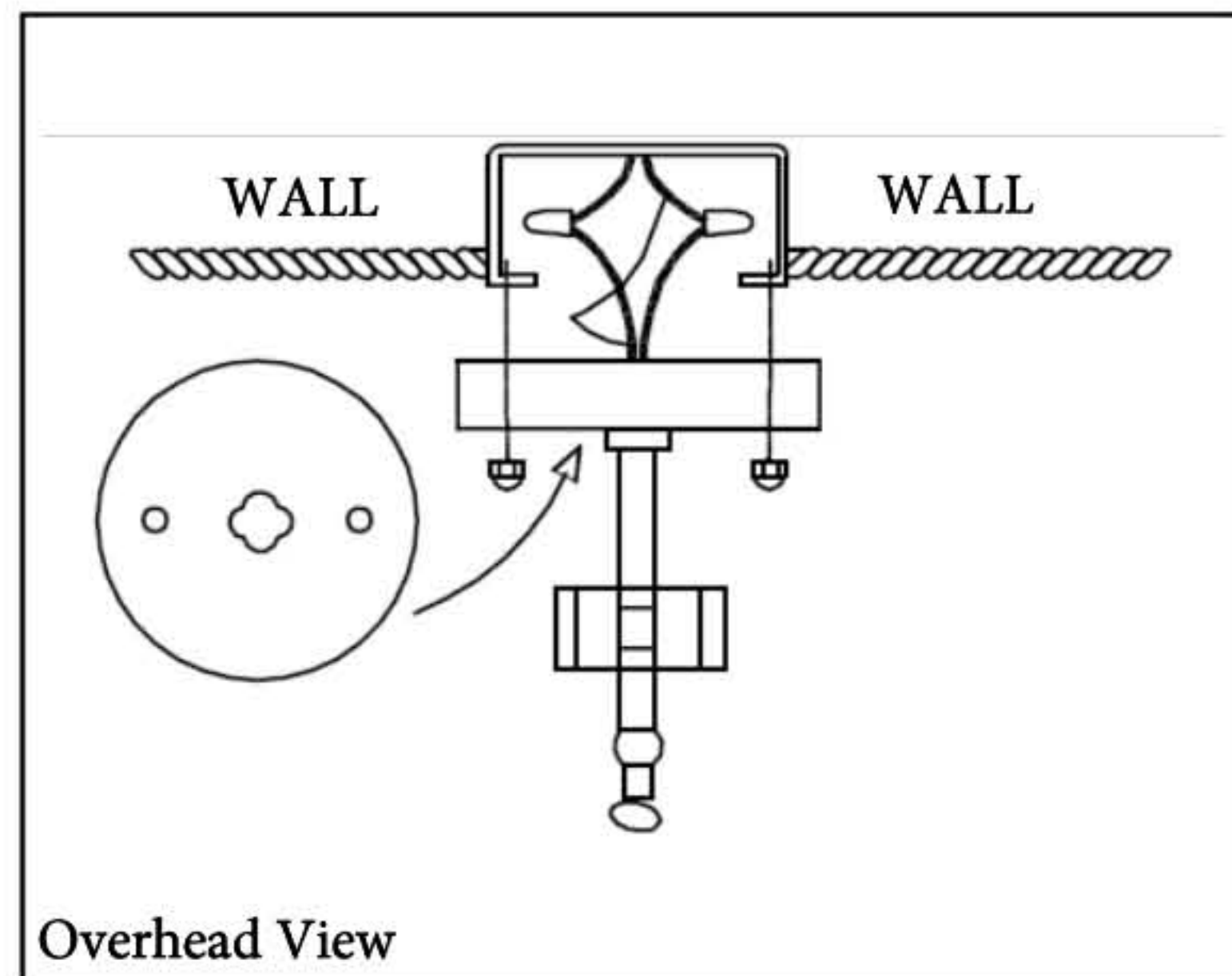
Mounting Instruction



NOTE: Diagrams above are just representative.

1. mounting block 2. main body 3. candle pipe
4. nipple

Electrical Diagram



American Brass & Crystal

Casting a Finer Light




WS2111

American Brass and Crystal provides the finest quality components manufactured, designed and finished by master artisans. We take great pride in our production abilities and we empower our valued customers with the ability to custom create the light that is perfect for them.

Enclosed are detailed instructions on how to properly assemble and install your sconce. If you have any questions please call our toll free customer service hotline at: **1-(877)-465-5617**

All electrical components must be installed by a licensed electrician and in accordance with the National Electric Code and the appropriate local electrical codes.

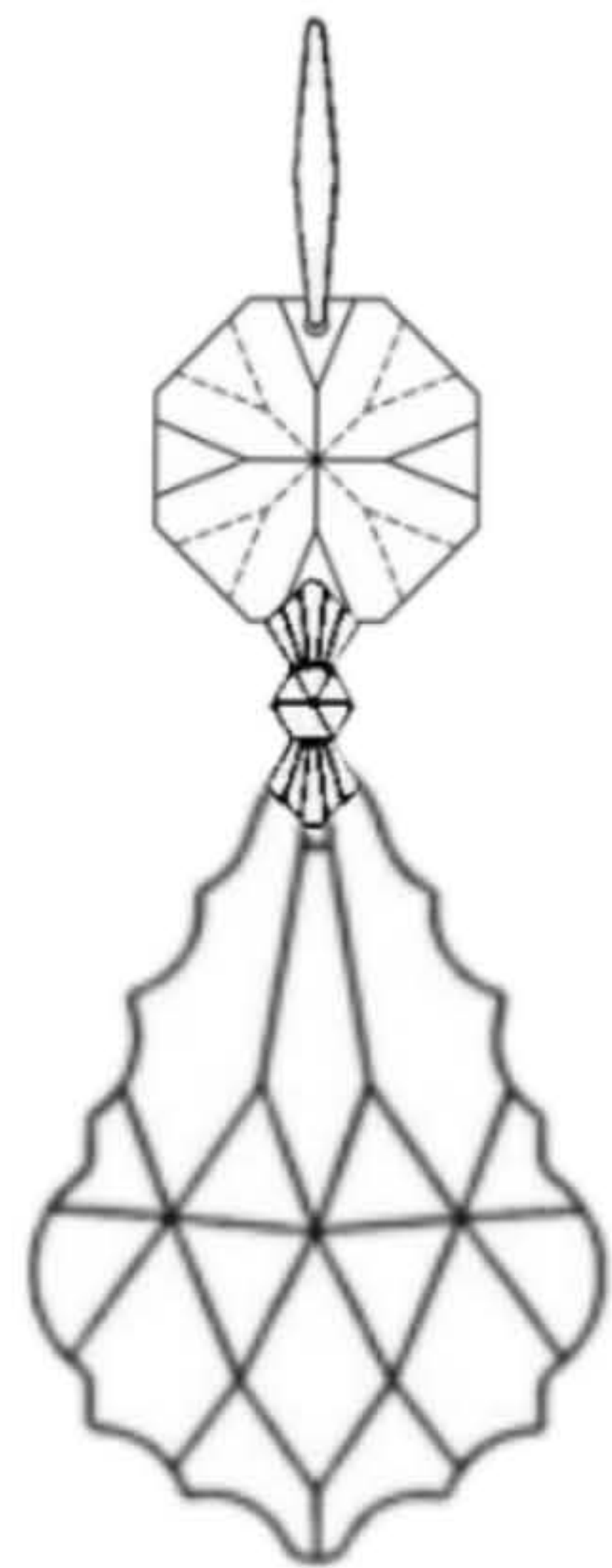
 American Brass and Crystal
835 Lehigh Avenue, Union, NJ 07083

www.abclighting.net



Crystal Component Detail

Begin trimming your chandelier after all of the electrical connections have been made, the lights have been tested and the chandelier is in good working order. Begin trimming in Alphabetical order. Do not unwrap the next letter until previous one is complete.



Letter: A

Quantity: 5

2" Drop with 1-14mm Octagon above.

Connect 1 to the front of the arm. Then connect to all 4 stations around the bobèche.

Crystal Trimming Directions

